



DAHAN QTZ250(7025)

HAMMERHEAD CRANE INTRODUCTION

Content

Where QTZ250(7025) Use.....

What QTZ250(7025) Design

What QTZ250(7025) Specification.....

What QTZ250(7025) Advantage.....

QTZ250(7025) Outline Dimensions.....

Load Diagrams 16T.....

Masts.....

Anchorage.....

Mechanisms.....

Counter Weight.....

DAHAN Introduction.....

DAHAN Customers Case.....

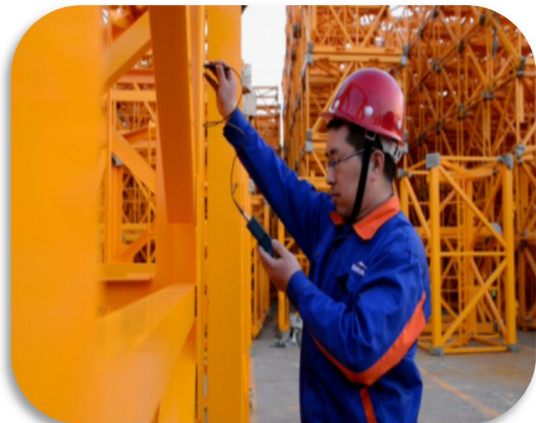
250 7025

Advantage

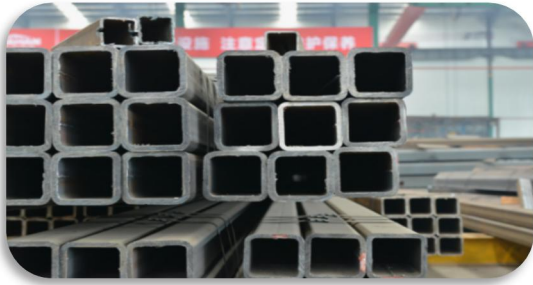
1. With 56,000 sets of market volume and excellent reputation, Dahan tower crane ranks the first place in China tower crane industry in the past decades. Dahan always adheres to the value that supply the most valuable tower crane and service for the customer, with the highest cost performance in the industry.



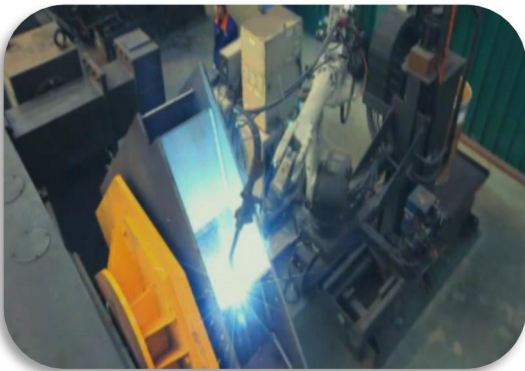
2. Dahan tower crane owns the leading technology R&D team, the product quality passed several experiments with strict testing. Otherwise, Dahan has 16 years of production technology and rich experiences in quality management. Till now, over 100 national technology patents of tower crane have been put into use already.



3. In order to guarantee the reliability of tower crane quality and reduce the cost, all raw materials are directly supplied by famous brands like Baosteel and Wisco. Raw materials for main parts such as standard section main limbs, tower caps adopt Q345B steel, thus the tensile strength increased by 30% and the tower crane becomes more safe and reliable.



4. Dahan tower crane is the enterprise which firstly started to use the robot welding lines. At present, we have a fully automatic robot welding production line for most sections fabrication made up by more than 100 welding robots. The production line is composed with automatic material preparation, welding and machining. All main parts of Dahan tower crane use robot welding, with the most advanced carbon dioxide mixed with argon gas shielded welding, it has deep depth of fusion, high quality of welding and stable performance.



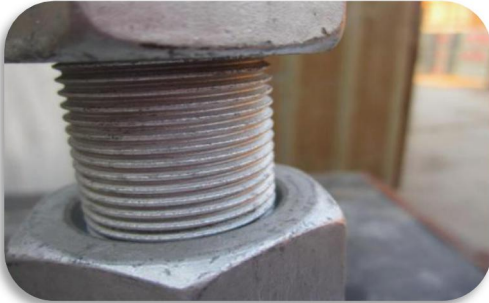
5. All parts and components of Dahan tower crane use premium brands. Electric equipment with Schneider converter, aviation plug, stainless steel distribution box and three linkage console has features of low failure rate and easy installation.

Hoisting mechanism is provided by leading manufacturer Jiangte Motor or Dezhou Shengjian, all with engine oil, free maintenance, high reliability and low maintenance rate.

Slewing support uses Ma'anshan Fangyuan brand or Rothe Erde brand, twice tempering processing makes more smoothly operation and longer tower crane service life.



6. Attention to detail quality. High-strength bolt adopt shipborne scale DACROMET technology. It can keep not rusted for ten years .Swiss screw-thread bolts of preload promote 30 percent than traditional bolts. Weight limiter uses the tension ring structure and cast aluminum shell used Hoisting, derricking limiting stopper to extend service life.



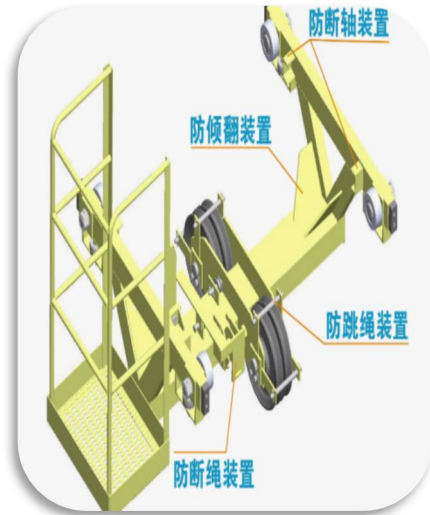
7.Large structures as mast section, turn able, top kit and hoisting jib adopt advanced equipment as NC machine tool, drilling machine, milling machine processing after welding. That effectively guarantees products assembly accuracy, reducing the failure rate and improving the security.



8.12 automatic spraying assembly line, the whole machine adopt impeller blasting to ensure the cleanliness of steel surface and eliminate the internal stress producing in welding process, increase the strength and steel surface hardness, increase painting adhesion. Two primer, a paint spraying technology, beautiful appearance, corrosion resistance has increased more than twice than the life of ordinary spraying process. Platform, the small car, fence and other small pieces adopt hot dip galvanized after acid phosphate treatment, rust resistance stronger.



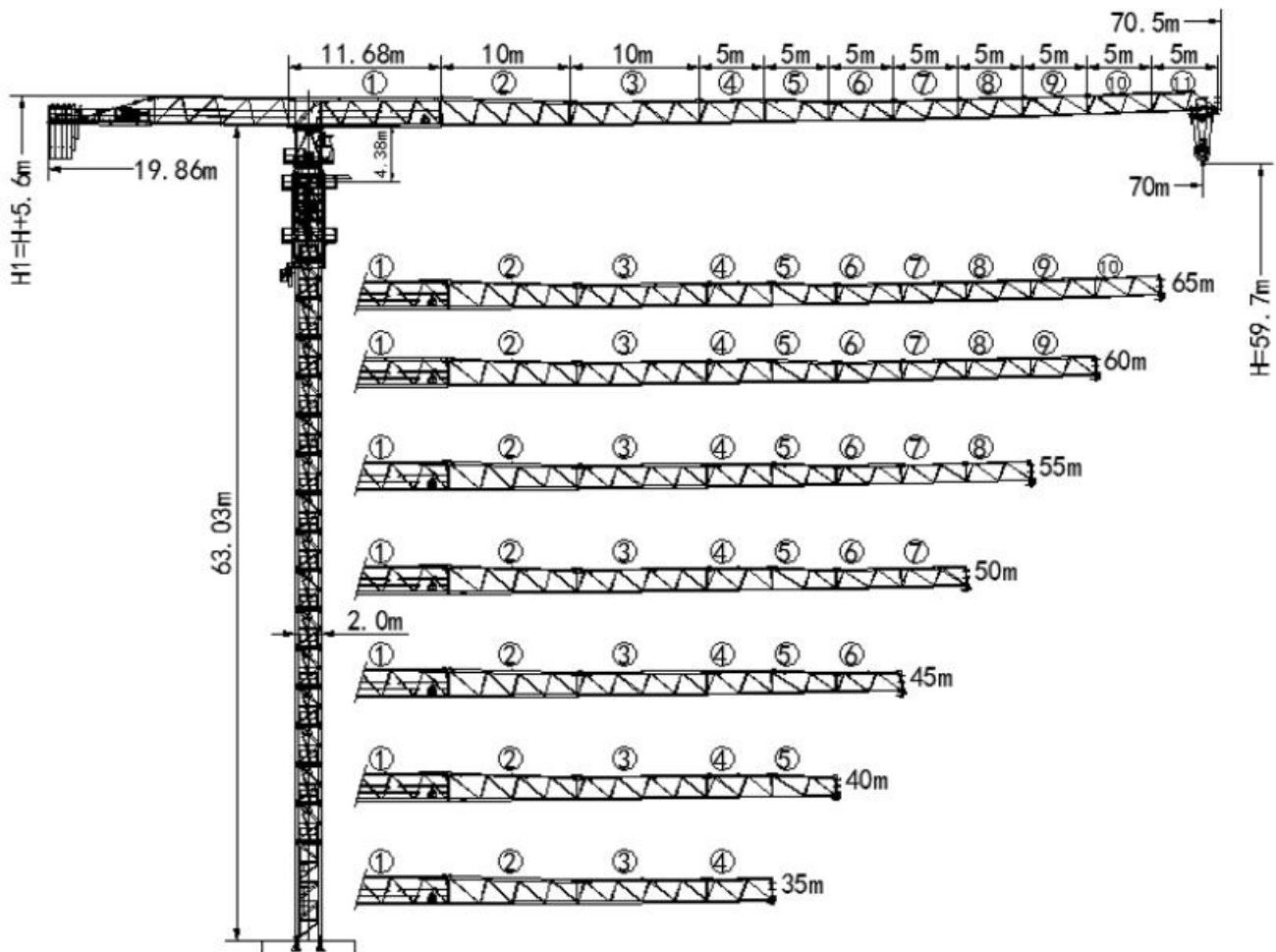
9. Hoisting, derricking and slewing mechanism, with complete safety such as torque, weight limit. The steel wire rope broken rope device. Range of the car design against loss and broken shaft, such as tilting device. The electrical adopts overload protection, the design of PLC self-diagnosis system, it's convenient to maintenance.



10. Dahan three production bases is Shandong, Hunan, Guangdong. Dahan tower crane are exported to more than 50 countries and regions. We have more than 1000 sets after-sales service network. We carried out the earliest stagnation point service mode in this tower crane industry that ensure the quality of service and efficiency. Otherwise, better to remove customer's worries.



QTZ250(7025) Outline Dimensions



70m

R	3-14.8		16	18	20	22	24	26	28	30	
4f	16000		14630	12760	11280	10080	9090	8260	7550	6930	
2f	8000								7950	7330	
R	32	34	36	38	40	42	44	45	46	48	50
4f	6400	5930	5510	5140	4810	4510	4230	4110	3980	3760	3550
2f	6800	6320	5910	5530	5200	4890	4620	4490	4370	4140	3930
R	52	54	56	58	60	62	64	65	66	68	70
4f	3360	3180	3010	2860	2710	2580	2460	2400	2340	2230	2120
2f	3740	3560	3390	3240	3090	2960	2830	2770	2720	2600	2500

65m

R	3-16.1		18	20	22	24	26	28	30.1
4f	16000		14080	12450	11140	10050	9130	8350	7650
2f	8000								
R	32	34	36	38	40	42	45	46	48
4f	7100	6590	6130	5720	5360	5030	4590	4460	4210
2f	7470	6960	6500	6100	5730	5400	4970	4830	4590
R	50	52	54	55	56	58	60	62	65
4f	3990	3770	3580	3490	3400	3230	3080	2930	2730
2f	4360	4150	3950	3860	3770	3600	3450	3300	3100

60m

R	3-16.9	18	20	22	24	26	28	31.8
4f	16000	14960	13240	11850	10690	9730	8910	7640
2f	8000							
R	32	34	36	38	40	42	44	46
4f	7580	7040	6550	6130	5740	5390	5080	4790
2f	7950	7410	6930	6500	6110	5770	5450	5160
R	48	50	52	54	55	56	58	60
4f	4530	4290	4070	3860	3760	3670	3490	3330
2f	4900	4660	4440	4230	4140	4040	3860	3700

55m

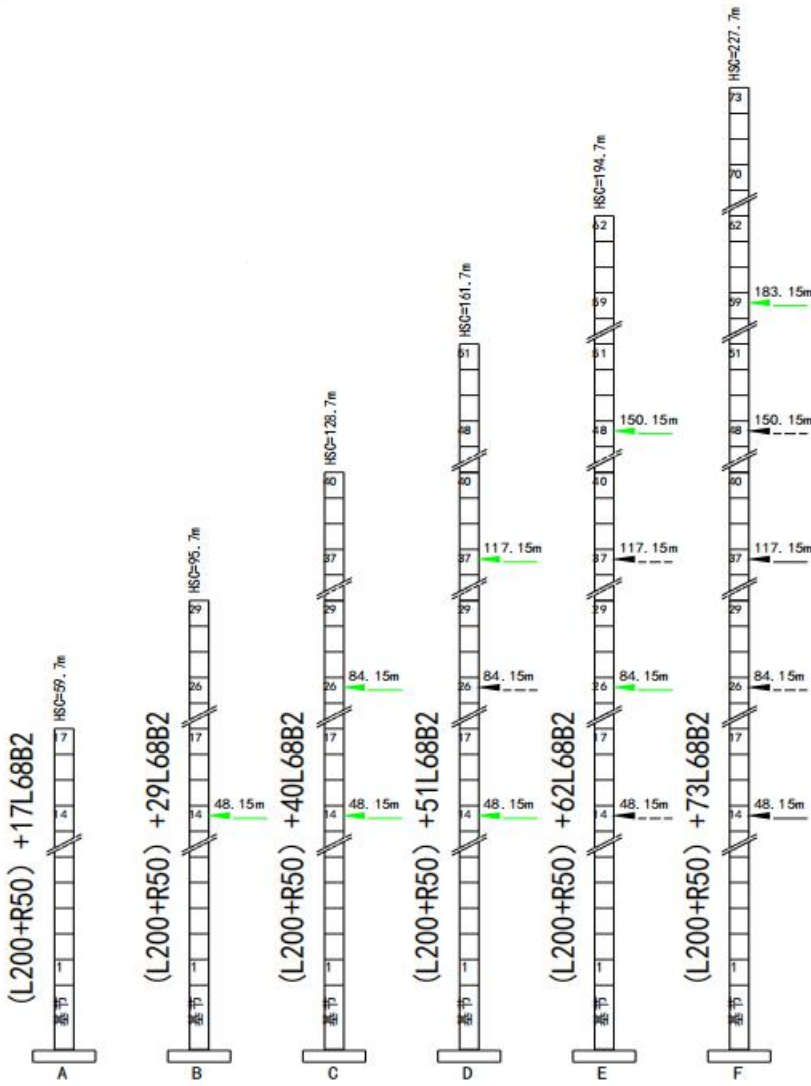
R	3-17.8	18	20	22	24	26	28
4f	16000	15800	13990	12520	11310	10300	9430
2f	8000						
R	30	33.4	34	36	38	40	42
4f	8690	7630	7470	6960	6510	6110	5740
2f	8000		7840	7340	6880	6480	6110
R	44	46	48	50	52	54	55
4f	5410	5110	4830	4580	4350	4130	4030
2f	5780	5480	5200	4950	4720	4500	4400

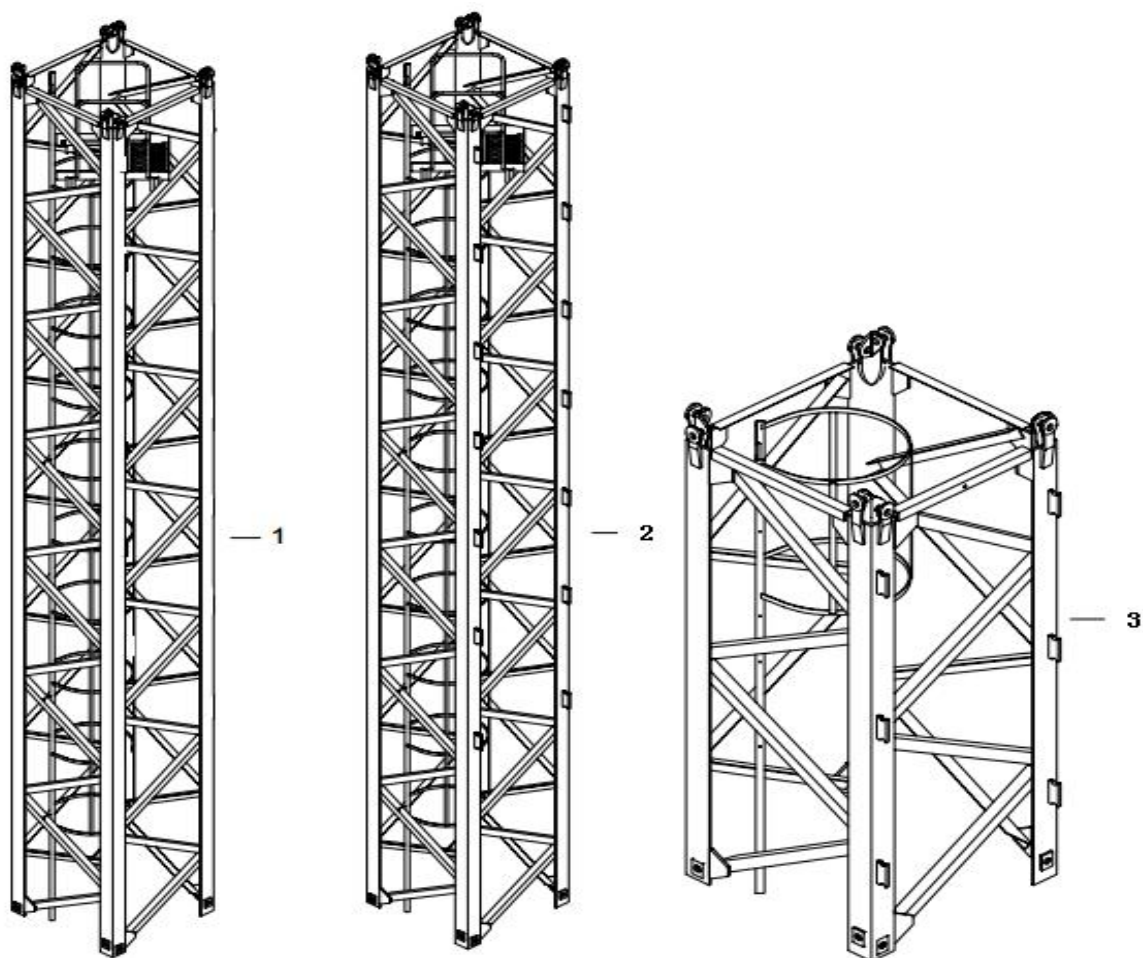
Tower crane performance parameters

Use Level	U5	Maximum Installation Height of Wind Level	≤4				
Load State	Q2	Working state wind level	≤6				
Working Level	A5	Non-working state wind level	≤11				
Parameter Name	Unit	Value					
Rated Load Moment	t.m	250					
Max Load Capacity	t	16					
Max Rated Load Weight Allows Max Ratings	m	14.8					
Working Range (min / max)	m	3-70					
Lifting Height (fixed / attached)	t	2.5					
Rated Load Moment	m	59.7					
Hoisting	Hoisting speed	Fall	/		2		
		Speed	m/min	0~30	0~60	0~15	0~30
		Load Capacity	t	8	3	16	8
	Motor Model	/	YZPE-55-4				
	Power	Kw	65				
	Motor Speed	r/min	1470				
Slewing	Slewing Speed	r/min	0~0.67				
	Power	Kw	2*7.5				
	Speed	r/min	1475				
Trolley	Trolley Speed	m/min	0~65				
	Motor Model	/	YTRVFW132M2-4				
	Power	kW	7.5				
	Speed	r/min	1450				
Jacking	Jacking Speed	m/min	0.5				
	Hydraulic System Rated Work	MPa	31.5				
	Motor Model	/	YEZS160m-4				
	Power	kW	11				
	Speed	r/min	1460				
	Hydraulic Cylinder by / piston Rod	mm	160/110				
Counterweights	Load Radius	m	70	55	45		
	Counter Weight	t	20.6	17.6	15.2		
Power	Kw	84.5					

Tower Crane Mechanism Configuration Parameters

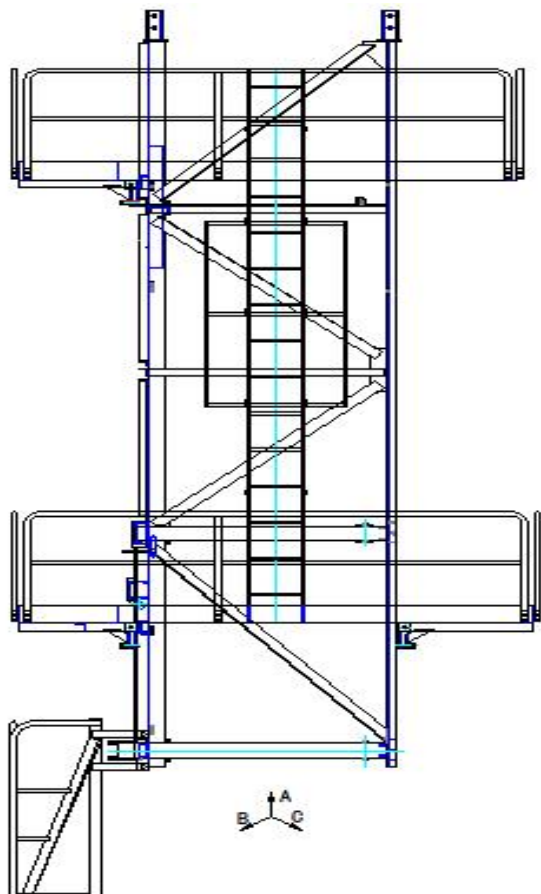
	Name		Unit	
	Hoist mechanism	Motor	Model	/
Power			Kw	65
Speed			r/min	1470
		Brake Torque	m	630-1250
Reducer		Speed Ratio	/	50
Wire Rope		35W×7+FC-Ø20-1770-I		
2 times the lowest rate of steady decline≤9m/min				
Slewing mechanism	Motor	Model	/	YTRVFW132M14F1/F2
		Power	Kw	7.5*2
		Speed	r/min	1475
	Reducer	Model	/	JH12CT4
		Speed Ratio	/	195
		Output Torque	N.m	13000
	Output gear parameters	Modulus	M	10
		Gear Number	Z	16
		Displacement Coefficient	X	+0.5
Slewing ring	Single Row Four Point Contact Ball	Model	/	QWA1600.50
		Modulus	M	10
		Gear Number	Z	180
		Displacement Coefficient	X	+0.5
Trolley mechanism	Motor	Model	/	YPBE132M-4
		Power	Kw	5.5
		Speed	r/min	1475
	Reducer	Speed Ratio	/	35.7
	Wire Rope	6×19W+FC-7.7-1670-II		
Jacking system	Motor	Model	/	YE2-160M-4
		Power	Kw	11
		Speed	r/min	1470
	Hydraulic Power Station	Flow	L/min	14.4
		Working Pressure	Mpa	31.5





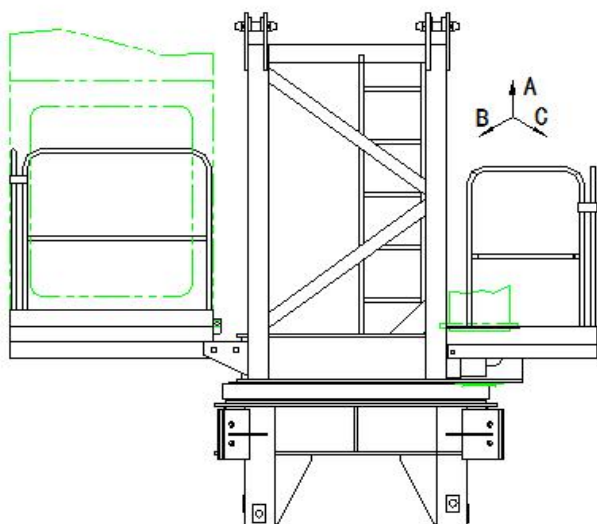
	A	B	C	Weight
	mm	mm	mm	Kg
Base Section 1	2100	2100	7820	4250
Section 3	2100	2100	3280	1520

Climbing Cage



	A	B	C	Weight
	mm	mm	mm	Kg
Climbing Cage Assembly	4200	4200	8700	6620
Skeleton	2320	2100	6785	1760
Jacking Beam	1655	130	579	257
Hydraulic System				485

Slewing Assembly

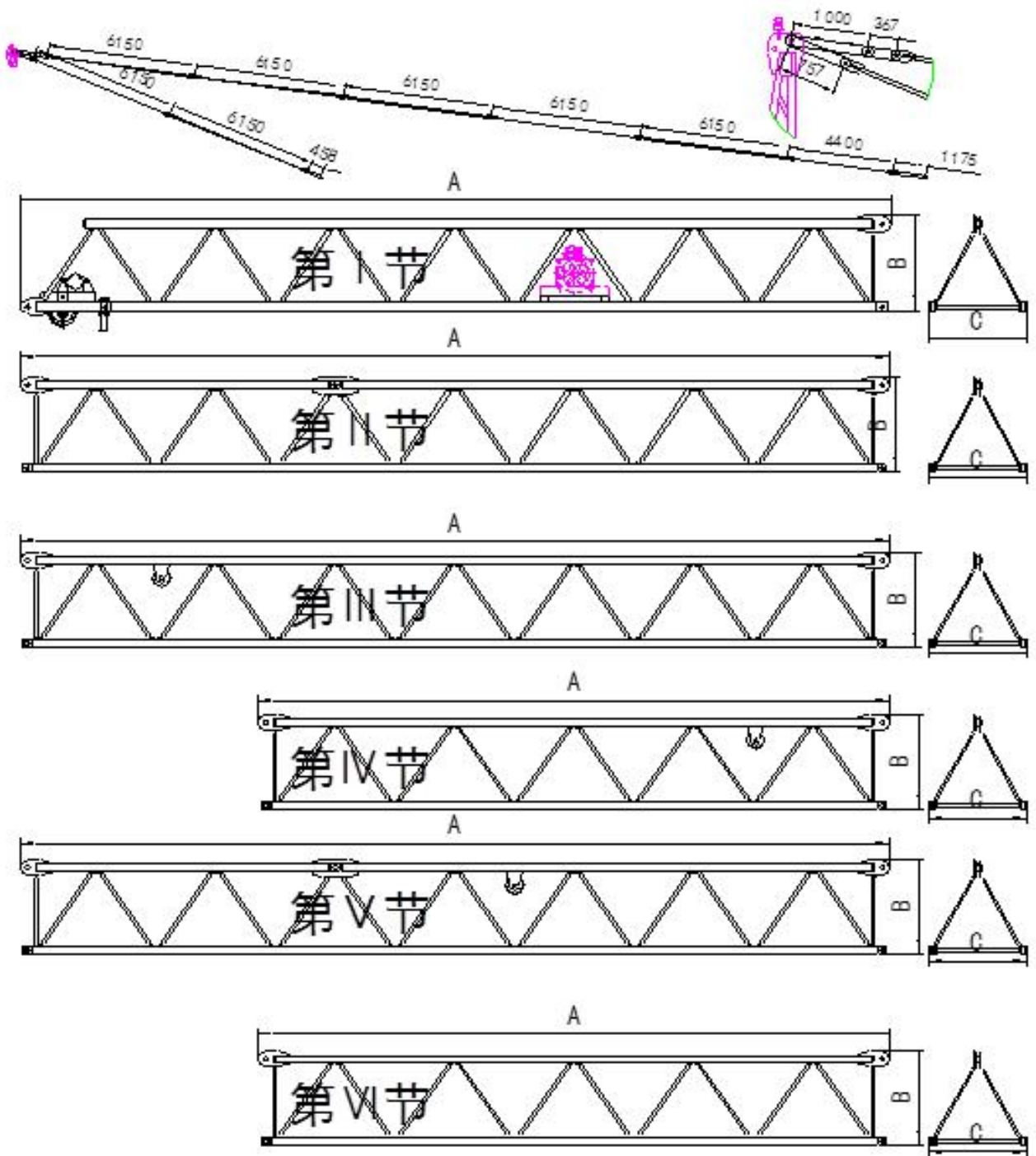


	A	B	C	Weight
				Kg
Slewing assembly	5300	4100	4300	9660
Under turntable	2515	3730	1460	1500
Upper Turntable	2470	2500	10350	2940
Operator cabin				500
Slewing Mechanism				400
Slewing ring				400

Counter jib

	Counter skeletonI	Lever	Electric control box	Hoisting Mechanism	Assembly
A	11160	5755			9315
B	520	595	/	/	1475
C	1197	2220			2220
Kg	689	826	182	1180	3246

Lifting





DAHAN Introduction

Dahan Construction Machinery (Group) is a large-scale enterprise group in Chinese construction machinery industry, specializing in the production of "tower cranes" and "construction elevators", with registered capital of 20 million US Dollars, integrating research, development, production, sales, service and finance.

Founded in November, 2000, after 18 years of rapid development, at present, the annual production capacity was over 13,000 sets and become the leading brand in tower crane and elevator industry in China.

The head office of the group is located in Hi-tech Development Zone, Jinan, China, with 3,000 m² workplaces. The production bases are separately located in Mingshui Economic Development Zone of Jinan City, Foshan of Guangzhong Province, Yiyang of Hunan Province, with total area of over 300,000 m². At present the group has 8 production bases, 7 operation center, 8 sales companies, one finance lease company and one import & export company.

Talent strategy is the core competitiveness of Dahan Construction Machinery. Dahan has 2300 employees, and 37 persons of them are cutting-edge technical talents, including drafters of national standard of domestic tower crane industry, engineers of implementing earliest FEM calculation of China, and professionals of design calculation and manufacturing technique. Besides, the group also have more than 600 professional personnels of other aspects like sales, management, financing, etc..

Science and technology are primary productive forces. Dahan owns 82 national technology patents (including 5 invention patent. In 2013 the group won the "high-tech enterprise" title, joined the Chinese Hoisting Machinery Standardization Technical Committee, and participated in revision of national standard (GB13752) of tower crane.

At present, the company has imported more than 100 robots of Panasonic and ABB company from Japan and Sweden separately, and owns 12 sets of automatic spraying lines, more than 1000 sets of large plasma cutting machines, CNC drilling machines, milling machines, lathes, boring machines, welding machine and other special tools and equipment. Through advanced equipment, automated assembly line, Dahan can ensure quality of products in the aspect of production technology. Besides, Dahan also build strategic partnership and matching supply cooperation with world-class enterprises such as Baosteel, Ansteel, Dezhou Sheng Jian, Rothe Erde, SIEMENS, Zhejiang Sanmen, France Schneider, etc., to ensure fist class quality of products in the aspect of purchasing of raw material and spare parts.

Now the group has achieved complete coverage of four major series, i.e., top kit tower crane, flat-top tower crane, luffing boom tower crane, and construction hoist, with over 30 types and more than 60 models. Till 2019, Dahan had built sales teams of 2000 persons, and nearly 1000 sales outlets in domestic market, and sold nearly 50,000 Dahan tower cranes to 32 provinces, direct-controlled municipalities, and autonomous region, and exported products to over 50 countries and districts.



In 2012, Dahan established the joint venture, Zhongkang International Financial Leasing Co., Ltd in Binhai New Area, Tianjin City, with 50 million dollars registered capital, to effectively provide clients financing solutions, aiming to achieve the transition of sales modes from “Products supply” to “Supply of products and comprehensive financing service”.

Along with internationalization and implementation of international branding strategy, Dahan Construction Machinery (Group) has developed to be a professional, mature, healthy and highly reliable manufacturer and service provider of tower cranes and construction hoists, and will stand on the top of world’s construction machinery industry with a fire-new image.